

Dishwashing
Single rinse Rack Type dishwasher with
Energy Saving Device, 100racks/hour,
Electric, 50Hz

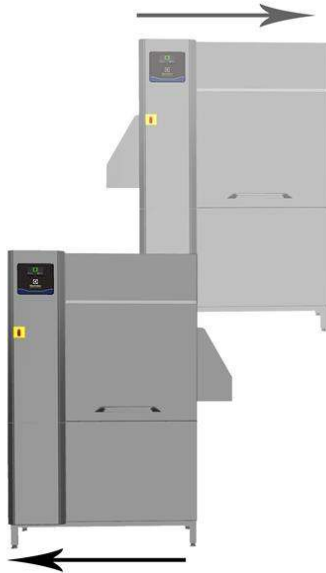
ITEM # _____

MODEL # _____

NAME # _____

SIS # _____

AIA # _____


CC0EC8 (ESR10E5E)

 Single Rinse Rack Type
 Dishwasher with Energy
 Saving Device, 100 racks/
 hour, electric, touch screen,
 insulated doors, customized
 direction on-site, 50 Hz

Short Form Specification

Item No. _____

Unit to be single rinse rack type dishwasher. Equipped Energy Saving Device (ESD) recovers the heat inside the machine to heat up incoming cold water to the boiler. Single rinse with built-in stabilized pressure valve ensures the right rinsing pressure for optimum hygiene results. Maximum Water Contact (MWS) wash arms are positioned along the full length of the wash tank. Powerful wash pump and specially designed wash spray arms guarantee cleaning. Washing is done with water circulating at 55-65°C. Final rinsing is done with clean water heated up to 85°C. Low rinse water consumption of 1.5 liters per rack at maximum speed of 100racks/hour. One conveyor speed of 100racks per hour. Intuitive touch screen control panel provides easy communication on different levels. Large counter-balance door has heat and noise insulation with easy internal access. Operating direction of the machine is decided by customer on-site depending on the layout flow with pre-arranged right to left from the factory.

Main Features

- Adjustable feet for full access underneath the machine for cleaning.
- IP25 protection against water jets, solid objects and small animals (larger than 6 mm).
- Intuitive touch screen control panel features user-friendly display to easily operate the machine and to monitor machine status. Three different levels of interaction are available each show relevant messages and information to the operator, the general maintenance staff and the authorized service partners.
- All internal components: wash and rinse arms, tank filters, curtains can be easily removed for cleaning.
- All main components made in heavy duty anti-corrosive 304 type stainless steel: internal chamber, external, front and side panels and rack transportation system.
- Unit equipped with USB port making it simple to read data such as machine identification, counters and consumption, components, devices and alarm logs. Machine parameters can be uploaded and downloaded and firmware updated.
- Maximum capacity per hour of 100 racks.
- Large counter balanced inspection door allow unrestricted all-round access to the wash and rinse area. Door is insulated with injected foam. This adds strength as well as reduces noise and heat loss.
- One conveyor speed can be selected through the control panel by the operator.

Construction

- Deep drawn pressed wash tank with fully rounded corners, sloped towards the drain to prevent dirt buildup, provides fast drainage in just a few minutes. With no welding points the pressed tank offers a guaranteed water tight solution.
- Dishwasher structure is held together with a solid 50 x 50 mm stainless steel frame to provide long-term sturdiness.
- All electric components are put in one IP65 central box isolated from water and steam to ensure high reliability.
- External pre-arrangement for inlet water, drain water, detergent & rinse aid connections for fast and easy installation on both sides of the unit.
- The chamber is pressed with fully rounded corners without internal pipes and therefore no hidden dirt traps.
- The feeding direction is right to left as pre-arrangement from the factory, but it can be

APPROVAL: _____

simply reversed on-site to left to right.

- The unit is built on modularity concept for easy to add dryer module on-site.

Sustainability



- Built-in Energy Saving Device (ESD) utilizes the hot steam generated by the machine in the rinse and wash tank to heat up incoming cold water to up 50° C before entering the boiler, thus saving energy.
- Auto-start/stop equipped in different zones ensures that the zone runs only when a rack is passing through it. This reduces water, energy, chemical consumption and noise.
- Single rinse with stabilized pressure valve guarantees rinse water consumption of 1.5 liters/ rack regardless of inlet water pressure to ensure low energy, water, detergent and rinse aid consumption.
- Built-in stabilized pressure valve ensures constant pressure throughout the rinsing cycle regardless of inlet water pressure.
- Self-draining vertical wash pumps provide maximum hygiene.
- Automatic back-up mode is activated when a failure occurs. Guided troubleshooting for fast fixes including 150 precises notifications and 23 easy-to-follow processes.

Optional Accessories

- | | | |
|--|------------|--------------------------|
| • Medium hot air blower zone without door for single rinse Rack Type dishwasher, 50Hz & 60Hz | PNC 534059 | <input type="checkbox"/> |
| • Corner drying zone for Single Rinse Rack Type Dishwasher, 50Hz & 60Hz | PNC 534411 | <input type="checkbox"/> |
| • Emergency stop kit for Rack Type Dishwasher (not for Basic handling system) | PNC 865162 | <input type="checkbox"/> |
| • End limit switch for short roller conveyor | PNC 865218 | <input type="checkbox"/> |
| • Connection bracket for plain undershelf and grid undershelf (to be used if roller conveyor is connected directly to Rack Type Dishwasher with splash hood) | PNC 865235 | <input type="checkbox"/> |
| • End limit switch for long roller conveyor (kit with two short rollers and end switch) | PNC 865256 | <input type="checkbox"/> |
| • Kit water softener for Rack Type dishwasher | PNC 865284 | <input type="checkbox"/> |
| • Splash hood kit for single and dual rinse Rack Type Dishwasher, 200 mm | PNC 865498 | <input type="checkbox"/> |
| • Silicon curtains for single and dual rinse Rack Type dishwasher | PNC 865503 | <input type="checkbox"/> |
| • Set of 6 baskets: 2 for trays, 2 for plates, 1 for cutlery and 1 for cups | PNC 867050 | <input type="checkbox"/> |
| • Set of 9 baskets: 2 for trays, 3 for plates, 2 for cutlery and 2 for cups | PNC 867051 | <input type="checkbox"/> |

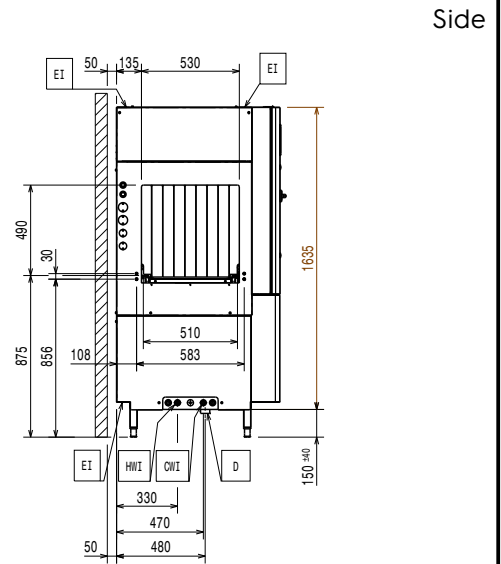
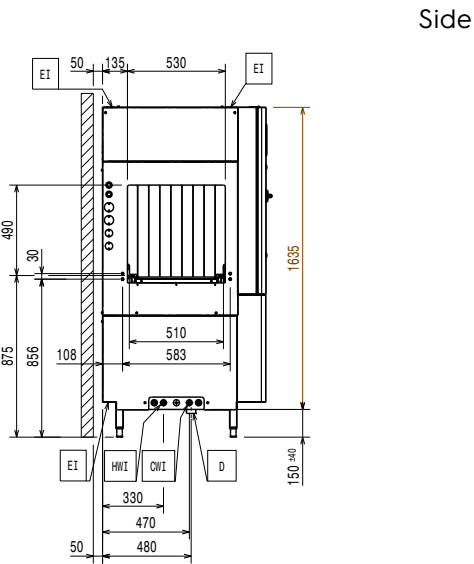
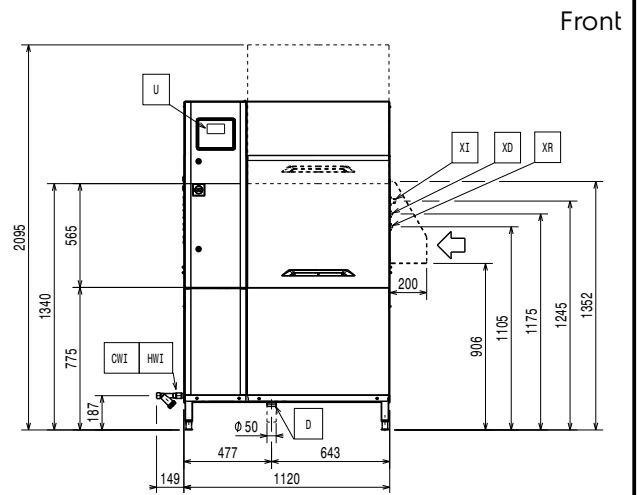
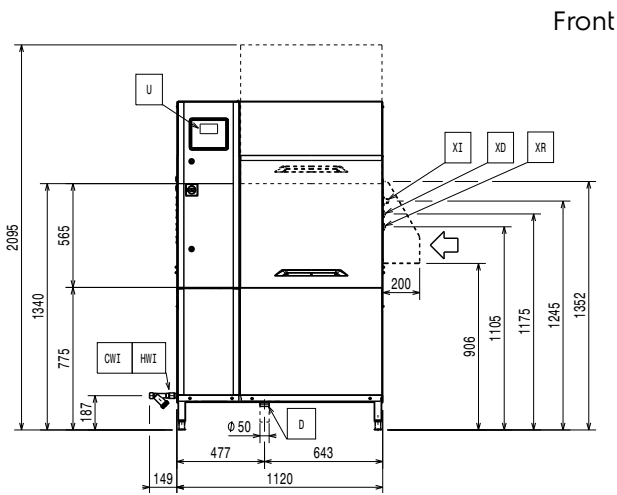
Components

- 1 of **534058** (ESR10E5) Single Rinse Rack Type Dishwasher, 100 racks/hour, electric, touch screen, insulated doors, customized direction on-site, 50Hz
 - **Shipping weight:** 220 kg
 - **Shipping height:** 1970 mm
 - **Shipping width:** 1060 mm
 - **Shipping depth:** 1260 mm
 - **Shipping volume:** 2.63 m³
 - **Current consumption:** 0 Amps
- 1 of **864478** (NESDSRE) ESD for single-rinse Rack Type dishwasher, electric
 - **Shipping weight:** ISO 9001; ISO 14001 kg
 - **Shipping height:** 410 mm
 - **Shipping width:** 520 mm
 - **Shipping depth:** 520 mm
 - **Shipping volume:** 0.11 m³
 - **Current consumption:** 0 Amps



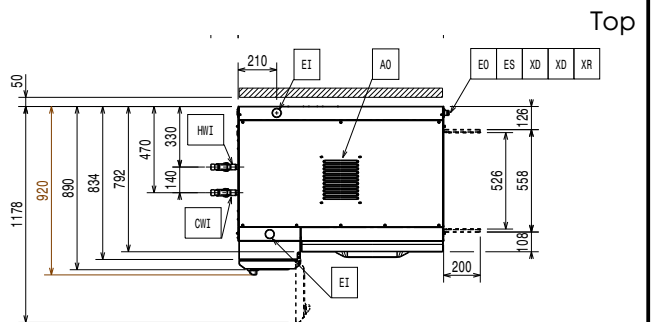
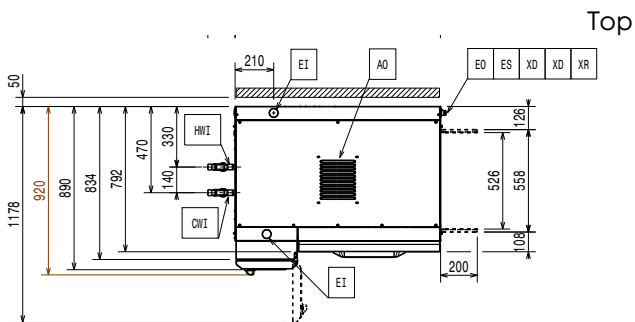
Electrolux
PROFESSIONAL

Dishwashing
Single rinse Rack Type dishwasher with Energy
Saving Device, 100racks/hour, Electric, 50Hz



- CWI = Cold Water Inlet
- D = Drain
- EI = Electrical inlet (power)
- EO = Electrical Outlet
- EQ = Equipotential screw
- ES = Electrical signal IN/OUT
- HWI = Hot water inlet
- U = USB port
- WI = Water inlet

- CWI = Cold Water Inlet
- D = Drain
- EI = Electrical inlet (power)
- EO = Electrical Outlet
- EQ = Equipotential screw
- ES = Electrical signal IN/OUT
- HWI = Hot water inlet
- U = USB port
- WI = Water inlet





Electric

| | |
|-----------------------------|-----------------------|
| Supply voltage: | 380-415 V/3N ph/50 Hz |
| Default Installed Power: | 25.5 kW |
| Boiler heating elements: | 12 kW |
| Wash pump size: | 1.18 kW |
| Wash tank heating elements: | 12 kW |

| | |
|--|---------|
| Noise level: | <62 dBA |
| Rinse water consumption at max. speed (l/rack)*: | 1.5 |

Water:

The higher the temperature, the faster the warm up.
Recommended temperature of 50°C.
When below 7°FH/4°dH special detergent and rinse aid are needed.

| | |
|--|-------------------|
| Inlet hot water line size: | G 3/4" |
| Inlet cold water line size: | G 3/4" |
| Drain line size: | 50mm |
| Inlet water supply pressure: | 1.5-7 bar |
| Inlet Water Supply temperature (rinse): | 10 - 30 °C |
| Inlet water supply temperature (wash and rinse): | 10 - 65°C |
| Inlet water supply hardness: | 0-14 °fH / 0-8°dH |
| Flow rate of wash pump: | 400 l/min |
| Peak rate of drain flow: | 2.5 l/s |
| Flow rate of wash pump: | 400 l/min |
| Wash tank size: | 70 l |

Key Information:

For transportation purpose only, the depth can be reduced to either 890mm by removing the main switch button or 792mm by removing the control box and the door handle.

For shipping data, please refer to price list.
Reference norm used to measure the noise:
IEC60335-2-58 annex AA.

| | |
|------------------------------------|---------------------|
| Height with door open: | 2095 mm |
| Charging hole size (width): | 530 mm |
| External dimensions, Width: | 1120 mm |
| External dimensions, Depth: | 920 mm |
| Charging hole size (height): | 490 mm |
| Wash Temperature: | 55 - 65 °C |
| Table to table distance: | 1120 mm |
| Productivity per hour (max speed): | 100racks/1800dishes |
| Final rinse temperature: | 85 °C |

Air Emission:

| | |
|------------------------------|------------|
| Air humidity: | |
| CC0EC8 (ESR10E5E) | 100 % r.h. |
| Latent heat: | |
| CC0EC8 (ESR10E5E) | 13500 W |
| Sensible heat: | 5300 W |
| Air flow: | 243 m³/h |
| Air temperature (top, exit): | 45 °C |

The data is measured at exhaust points at 25°C and 60% r.h. ambient conditions, 18°C inlet water temperature and refer only to the machine.

This model requires a ventilation hood. Please refer to the attached "Recommended Exhaust Hood Design".

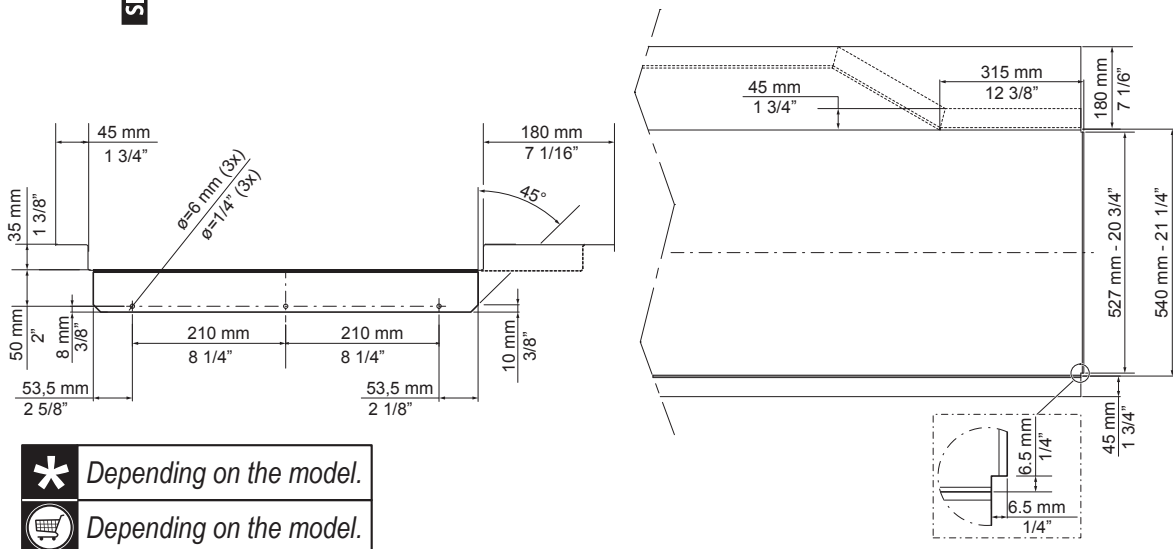
Sustainability

RECOMMENDED TABLE CONNECTION



SILICONE

! Apply silicone between the machine and the table and make sure that there are not any water leakages. Reference code 059611 for recommended silicone by Electrolux.



***** Depending on the model.

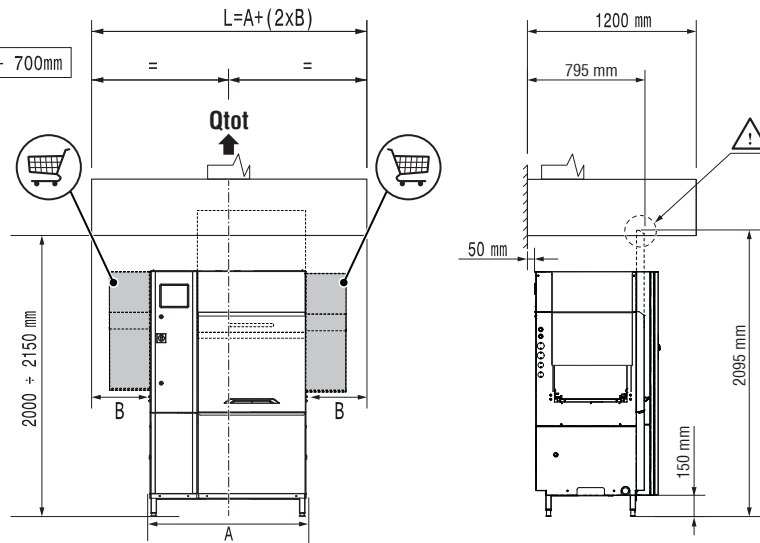
! Depending on the model.

All tables must be connected to the dishwashing units according to local regulations and industry standards which may differ from the recommendations herein suggested. Electrolux Professional is not liable for any failure in complying with local design standards.

RECOMMENDED HOOD DESIGN OPTIONS

NO ESD = ✓
ESD = ✓

| Qtot (VDI 2052) | |
|--------------------------|-----------|
| 100 r/h no ESD no Dryer | 1100 m³/h |
| 100 r/h ESD no Dryer | 1350 m³/h |
| 100 r/h no ESD + 1 Dryer | 1200 m³/h |
| 100 r/h ESD + 1 Dryer | 1550 m³/h |



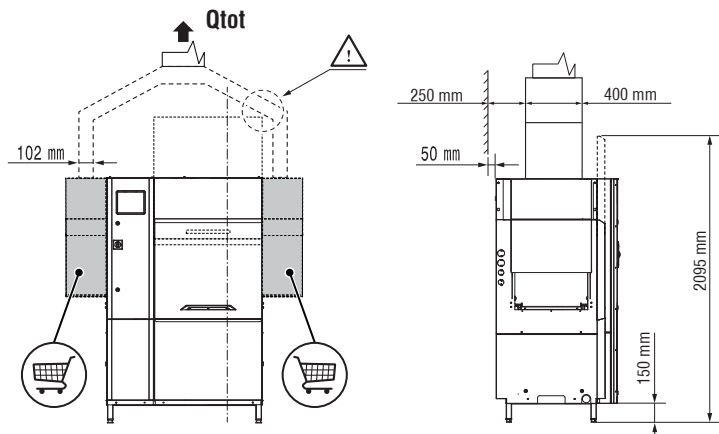
NO ESD = ✓
ESD = ✗

| Qtot (VDI 2052) | |
|--------------------------|-----------|
| 100 r/h no ESD no Dryer | 1100 m³/h |
| 100 r/h ESD no Dryer | 1350 m³/h |
| 100 r/h no ESD + 1 Dryer | 1200 m³/h |
| 100 r/h ESD + 1 Dryer | 1550 m³/h |



NO ESD = ✓
ESD = ✗

| Qtot (VDI 2052) | |
|--------------------------|-----------|
| 100 r/h no ESD no Dryer | 1100 m³/h |
| 100 r/h ESD no Dryer | 1350 m³/h |
| 100 r/h no ESD + 1 Dryer | 1200 m³/h |
| 100 r/h ESD + 1 Dryer | 1550 m³/h |



All exhaust hoods must be dimensioned and installed according to local regulations and industry standards which may differ from the recommendations herein suggested. Electrolux Professional is not liable for any failure in complying with local design standards.

DOC. NO. 59566QF00
EDITION 09.2019